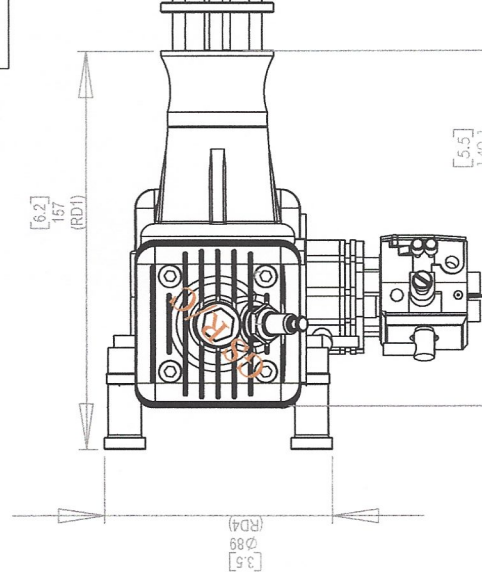
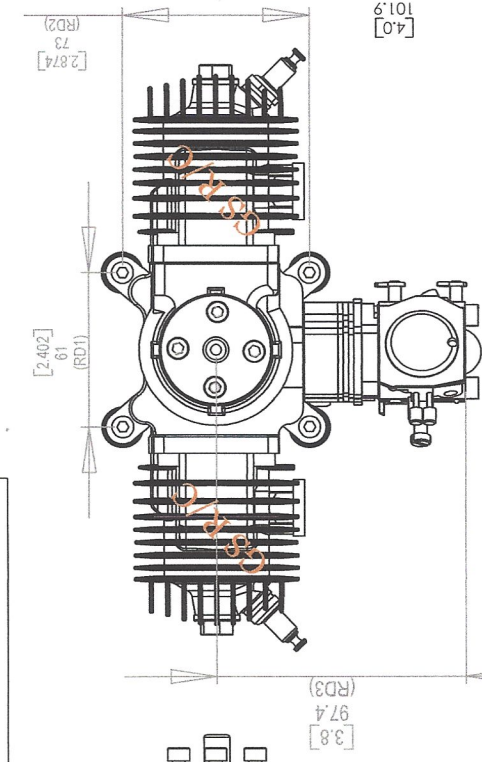
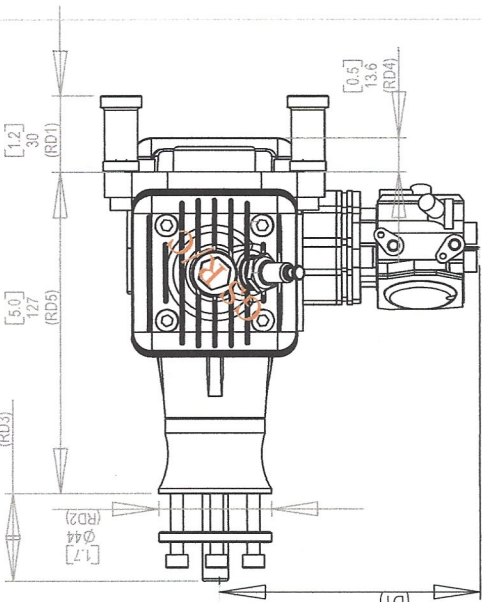
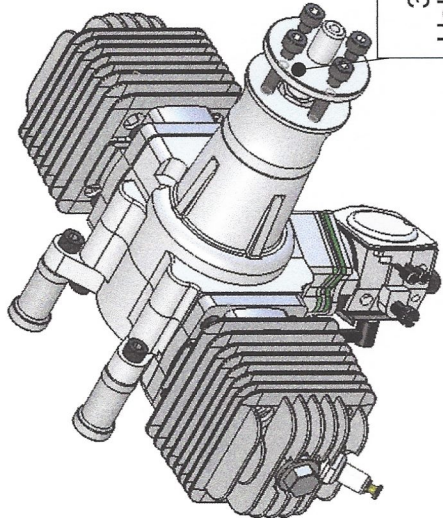
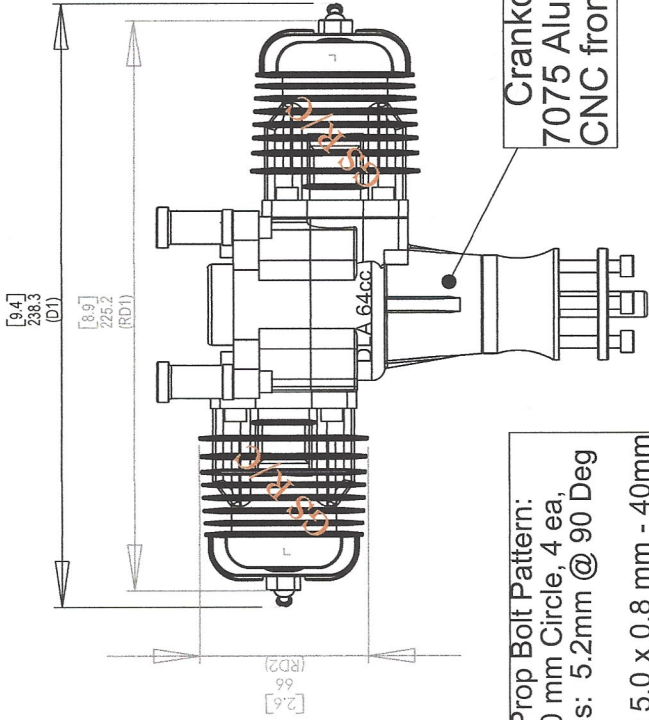


# Golden Skies R/C Aircraft, Inc.

Slanted Plug Configuration  
 Plug-Cap to Plug-Cap  
 Distance: 10 in

Crankcase  
 7075 Aluminum  
 CNC from Billet

Prop Bolt Pattern:  
 30 mm Circle, 4 ea.  
 Holes: 5.2mm @ 90 Deg  
 Bolts: 5.0 x 0.8 mm - 40mm



TITLE: <b>DLA 64CC Twin Boxer</b>		REV: <b>A</b>
SIZE: <b>A</b>	DWG. NO.: <b>03180-00300</b>	REV: <b>A</b>
SCALE: <b>1:3</b>	WEIGHT:	SHEET <b>1</b> OF <b>1</b>

DRAWN	CHECKED	COMMENTS:
NAME: <b>Schantz</b>	DATE: <b>6-26-18</b>	

UNLESS OTHERWISE SPECIFIED:	DIMENSIONS ARE IN: mm (Inches)	MATERIAL	FINISH
APPLICATION	USED ON	R/C Model Aircraft	R/C Model Aircraft Only

NEXT ASSY	USED ON	R/C Model Aircraft	R/C Model Aircraft Only
DO NOT SCALE DRAWING			

**PROPRIETARY AND CONFIDENTIAL**  
 THE INFORMATION CONTAINED IN THIS DRAWING IS THE SOLE PROPERTY OF Golden Skies R/C Aircraft, Inc. ANY REPRODUCTION IN PART OR AS A WHOLE WITHOUT THE WRITTEN PERMISSION OF Golden Skies R/C Aircraft, Inc. IS PROHIBITED.